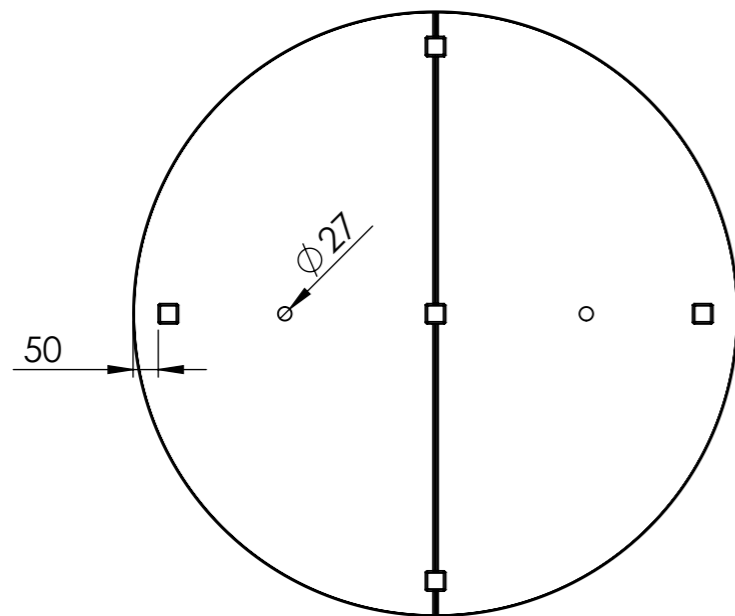




DETAIL A  
SCALE 1 : 5



|   |                |  |           |   |              |                |       |
|---|----------------|--|-----------|---|--------------|----------------|-------|
| DRAWN   | Benny Dijkhuis | DATE   | 5-11-2019 |  | TITLE:       | 2mm Corten     |       |
| REVISION  |                |  |           |   | Drawing:     | CT4.2 1200x600 | A3    |
|  |                | Liessentstraat 4, 5405 AG Uden (NL).<br>† 0031 (0)413 - 27 41 68.<br>e info@adezz.com, i www.adezz.com |           | Color:  | ---          | Mass (kg):     | 56.35 |
|   |                |  |           | SCALE:1:15  | SHEET 1 OF 7 |                |       |